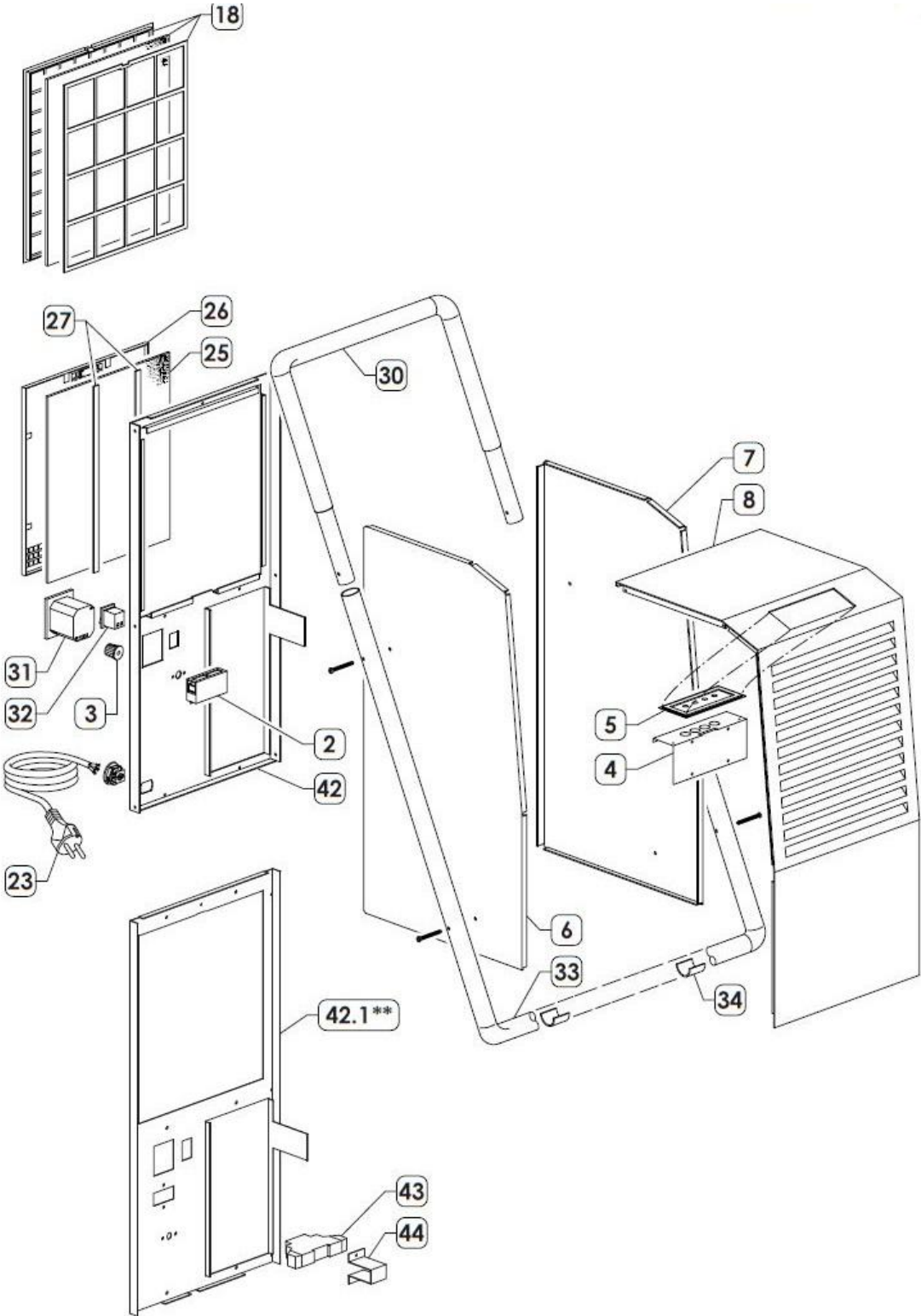
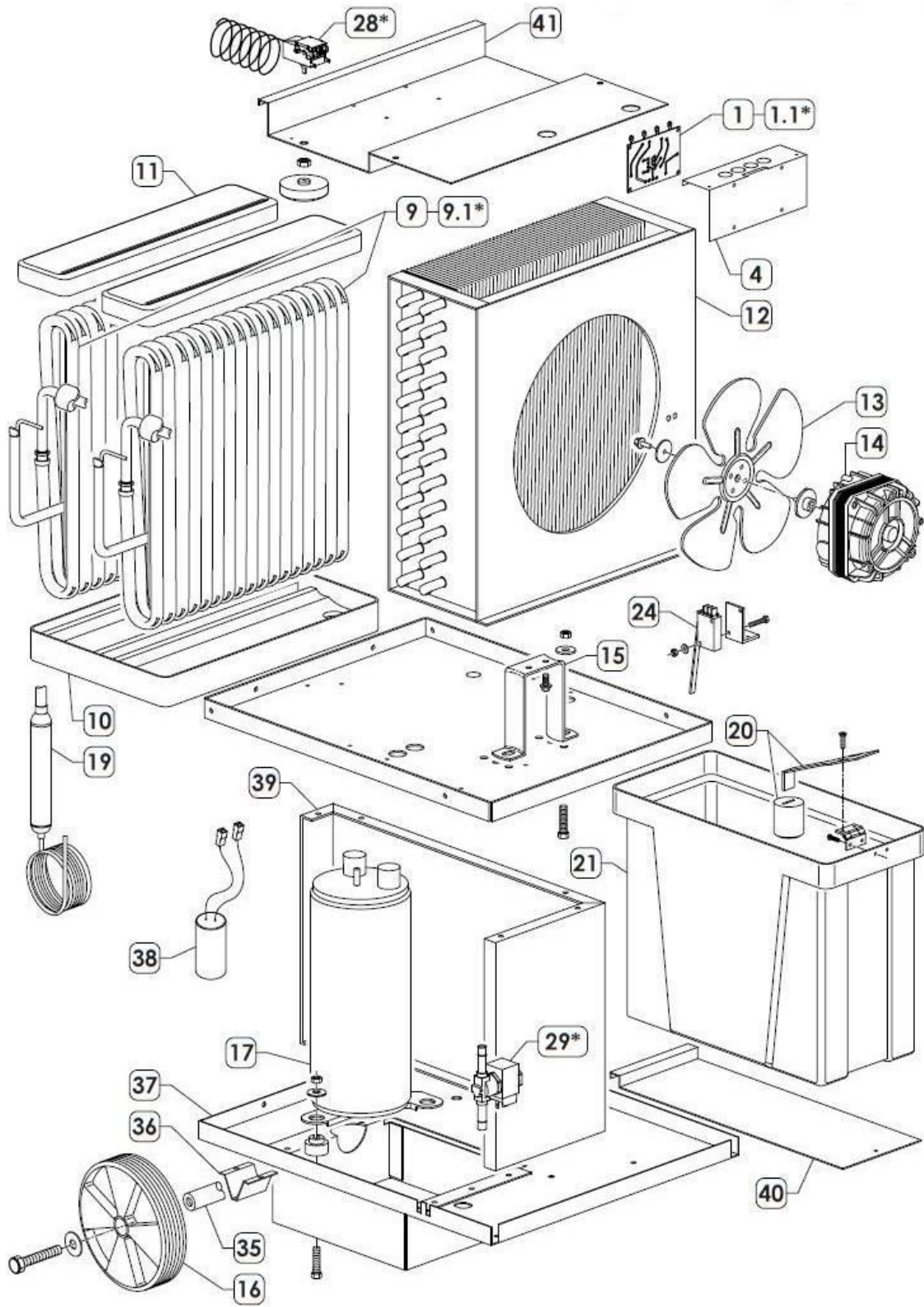


(9) List of spare parts





| Item | HEYLO Art. No. | Description |
|-------------|-----------------------|---|
| 1 | DT850041 | Control electronics |
| 2 | DT850039 | Switching unit |
| 3 | DT850040 | Control button |
| 4 | DT950011 | Control panel bracket |
| 5 | DT950012 | Control panel |
| 6 | DT850006 | Housing wall right |
| 7 | DT850007 | Housing wall left |
| 8 | DT850050 | Housing front |
| 9 | DT850009 | Evaporator unit |
| 10 | DT850010 | Condensate tub |
| 11 | DT850011 | Cover evaporator top |
| 12 | DT850012 | Condenser |
| 13 | DT850013 | Fan blade |
| 14+15 | DT850014 | Fan motor + bracket |
| 16 | DT850016 | Wheel |
| 17 | DT850051 | Compressor |
| 18 | DT850052 | Plastic filter |
| 19 | DT850019 | Dry filter |
| 20+21 | DT850021 | Water tank incl. float |
| 23 | DT850023 | Connection cable |
| 24 | DT850024 | Micro switch |
| 25 | DT550026 | Air filter |
| 26+27 | DT550027 | Air filter frame |
| 28 | DT850028 | Thermostat |
| 29 | DT850029 | Valve |
| 30 | DT850056 | Bow handle - upper part |
| 31 | DT850031 | Operating hours counter |
| 32 | DT850032 | Switch |
| 33 | DT850057 | Bow handle - lower part |
| 34 | DT850058 | Anti-slip nipple |
| 35 | DT850035 | Axle |
| 36 | DT850036 | Wheel suspension |
| 37 | DT850059 | Compressor vat |
| 38 | DT850060 | Condenser |
| 39 | DT850061 | Partition wall - compressor |
| 40 | DT850062 | Water tank - bottom |
| 41 | DT850063 | Upper cover - evaporator |
| 42.1 | DT850065 | Housing wall rear for DT850 with kW meter |
| 43 | DT850066 | Energy meter |
| 44 | DT850067 | Holder for energy meter |